



Basic steps for installing the AmeriGlide Express Dumbwaiter

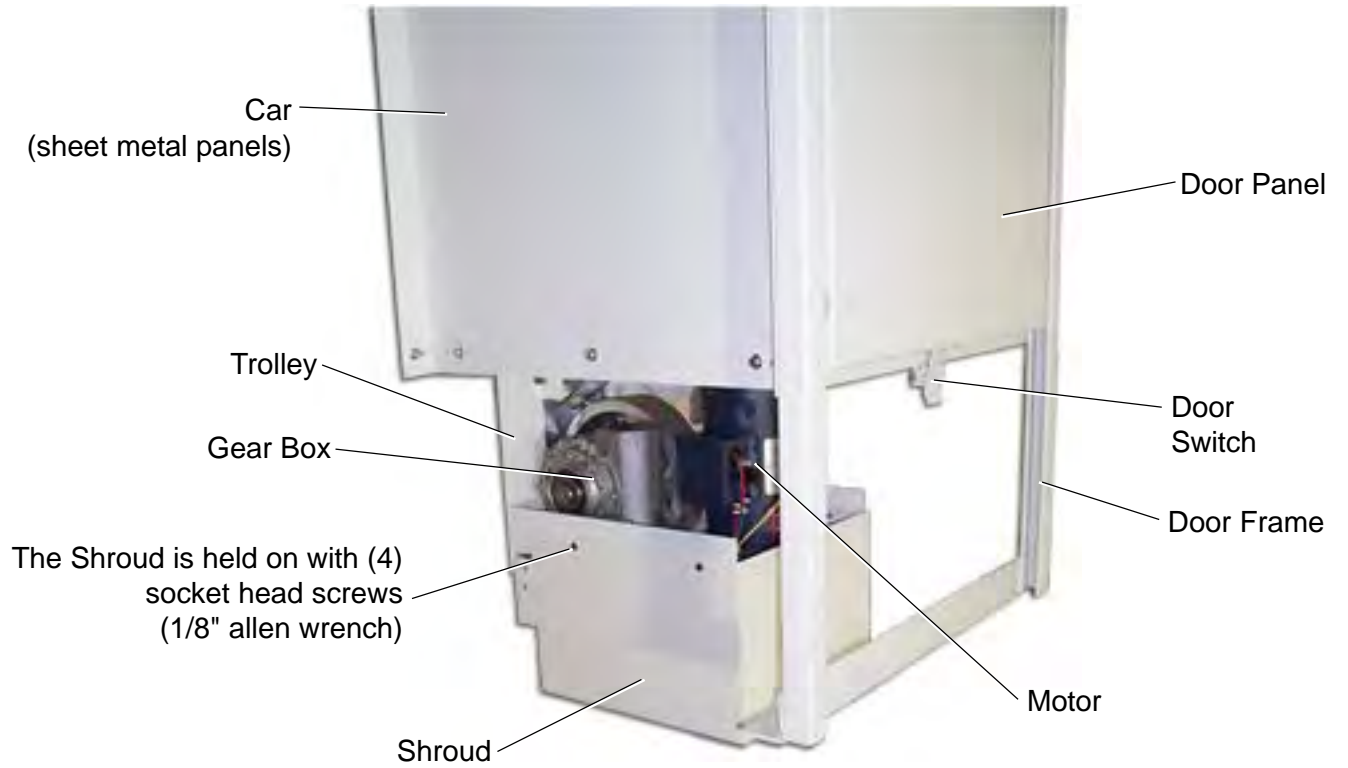
1. Remove Shroud.
2. Mount lower section of Track and Unit to hoistway wall and Brackets.
3. Remove Shipping Bracket from Top of Car.
4. Install other track pieces and brackets.
5. Set Header on top end of Track and attach Steel Cable.
6. Make wiring connections at Header.
7. Run lift in up direction (using temporary pendant control) to wind the steel cable onto the drum.
8. Mount Cams on Track.
9. Install Interlocks.
10. Test in Automatic Operation
11. Attach Header Cover and Shroud.

Note:

AmeriGlide lifts meet the stringent requirements of ASME A17.1, and ASME A18.1 when installed properly. Please check with local authorities to assure local code compliance, installation requirements, and to determine if permits are required.

Save these instructions.

Remove Shroud



Stand Unit with Track in Hoistway and attach to wall



Stand the assembly up and into place inside the hoistway (*consult the application drawing for proper placement*).

Note: In some applications it may be necessary to remove the car from the trolley.

Bracket attaches to track with 3/8-16 x 3/8" hex head screw and a square nut (inside slot of track)



Attach to wall with #14 x 2" wood screws

Bracket Locations:
-6" from each end of track
-12" from each side of track splice

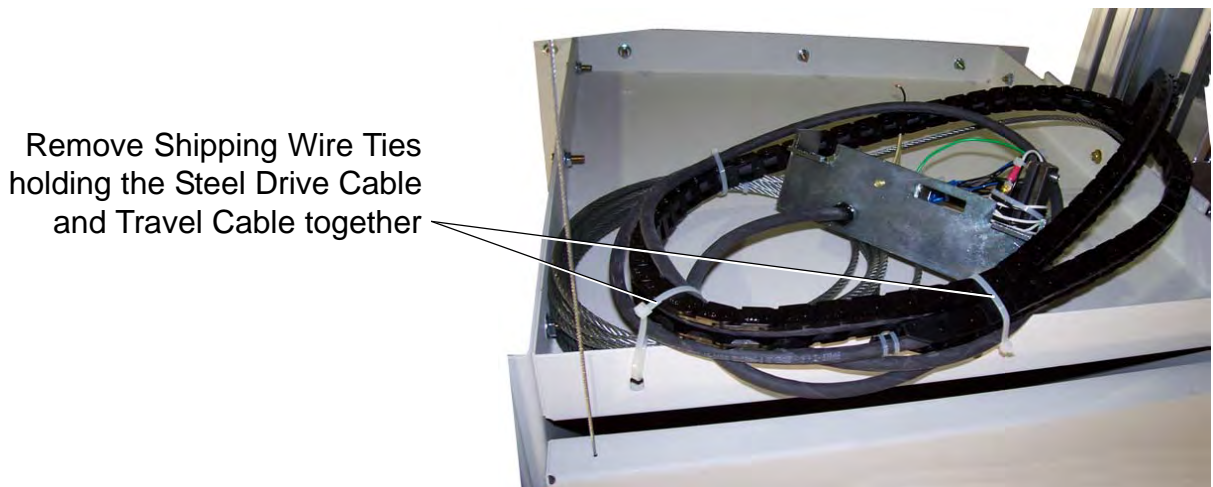
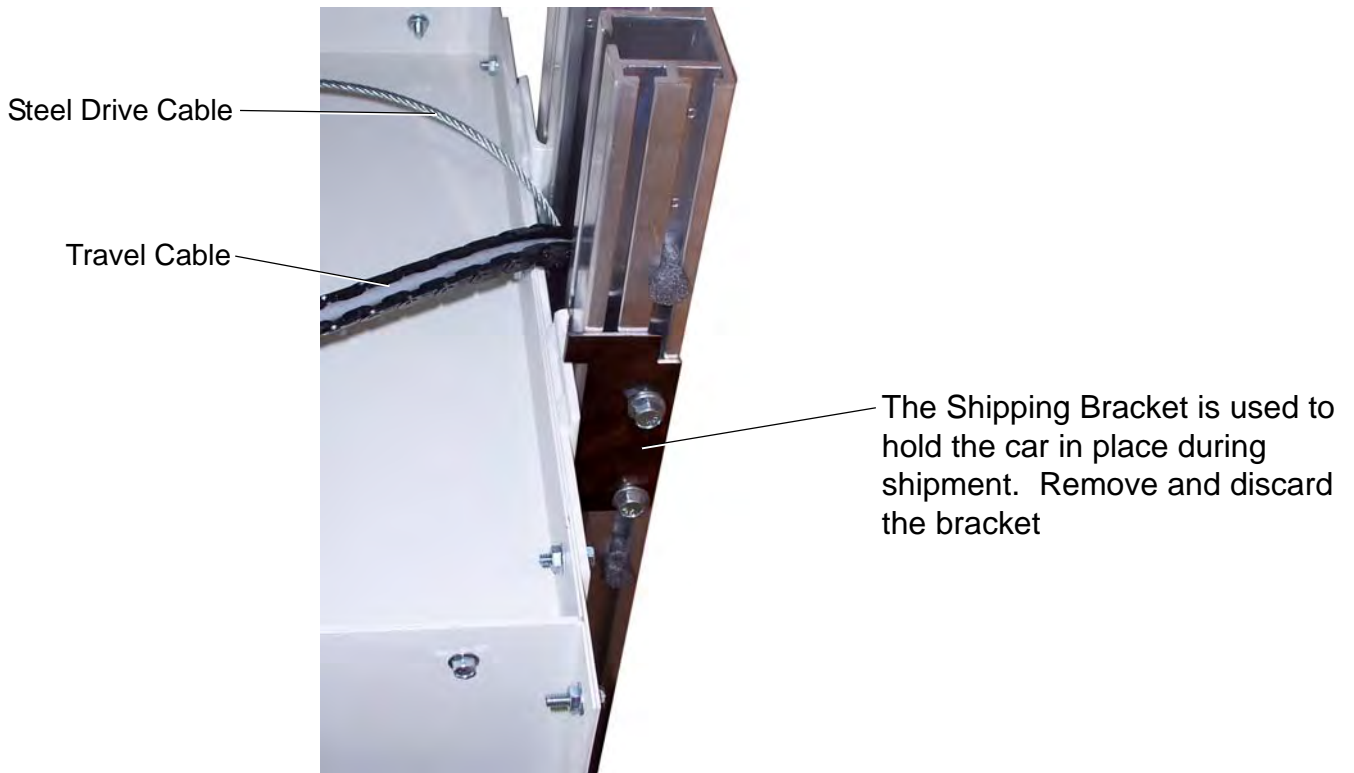
Tip: The square nuts are held inside the track slots with pieces of foam, **do not** remove the pieces of foam until installation is complete.

Square Nut



Remove Shipping Bracket from top of Car

3

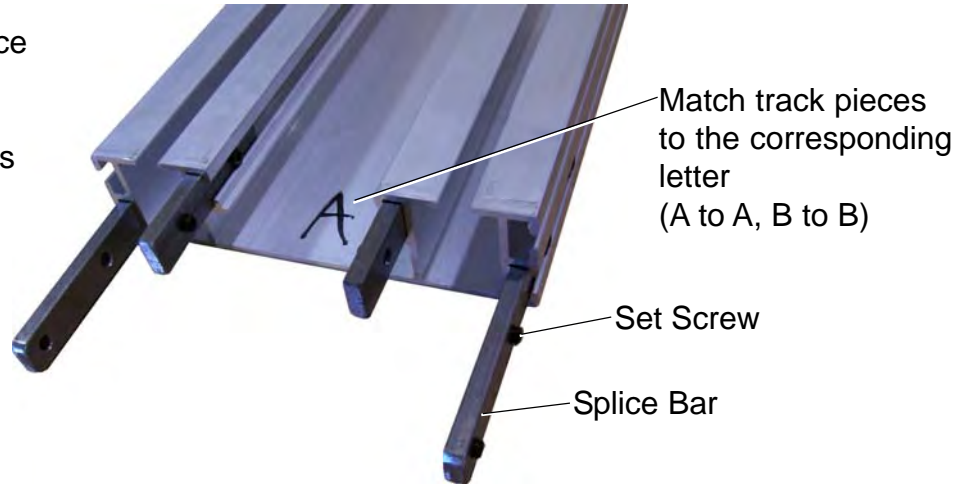


Important

Uncoil the Steel Drive Cable and Travel Cable, ensuring they are not twisted.

Install Other Track Pieces and Brackets

Each piece of Track has 4 Splice Bars installed in the lower end. Loosen the set screws (5/32" allen wrench) and slide the bars half way out and re-tighten the set screws.



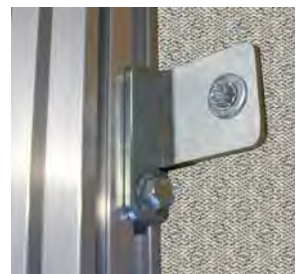
Slide the Track and Splice Bars into the Track mounted to the wall



Tighten all set screws when the track joint is properly aligned



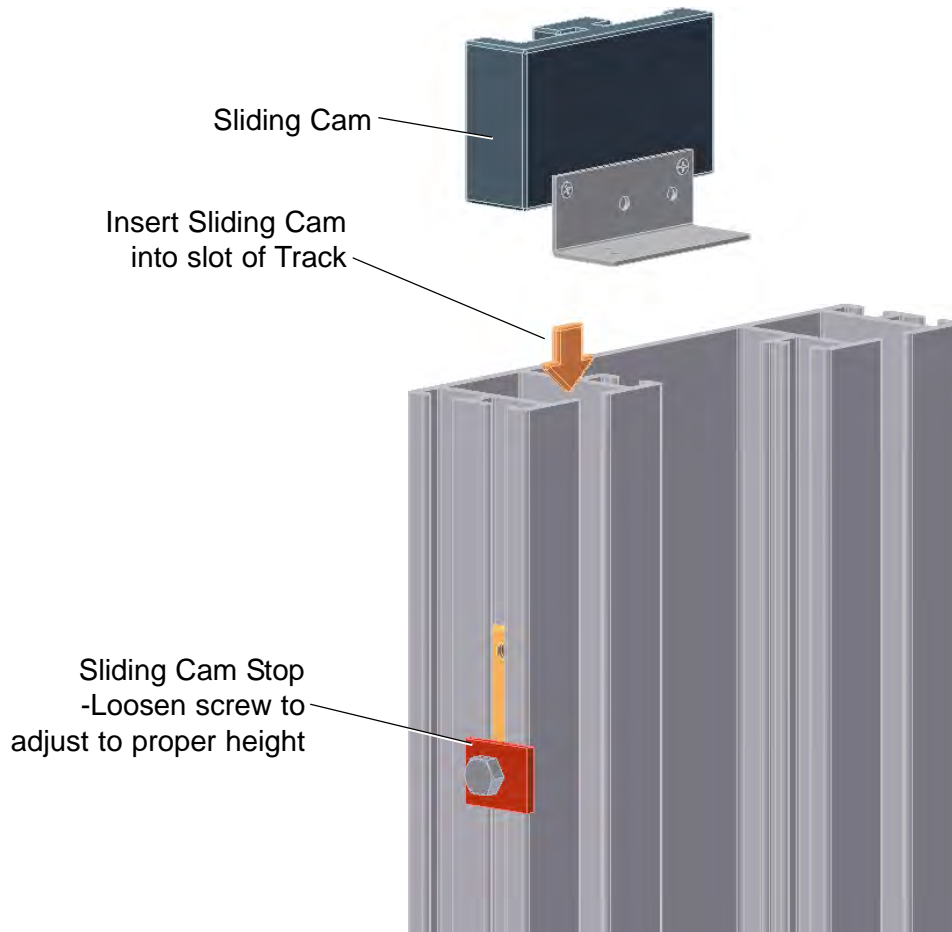
Attach the track to the wall with track brackets



4

Install Other Track Pieces and Brackets continued

For 3-Stop Dumbwaiters only:



The sliding cam should contact the car top switch when the car is at the middle landing. Final adjustment can be made after the middle landing cam is adjusted.

The sliding cam rides along with the car when the car is at or above the middle landing stop.

The switch tells the controller which direction to run when a middle 'call' is registered.

Set Header on top of Track and attach Steel Cable

5

Header sets on top of the track
(It is not mechanically fastened to the track)

Tapped screw holes are for attaching the Header Cover later in the Installation

The Travel Cable runs down this side of the Track



Insert end of Steel Cable into Header



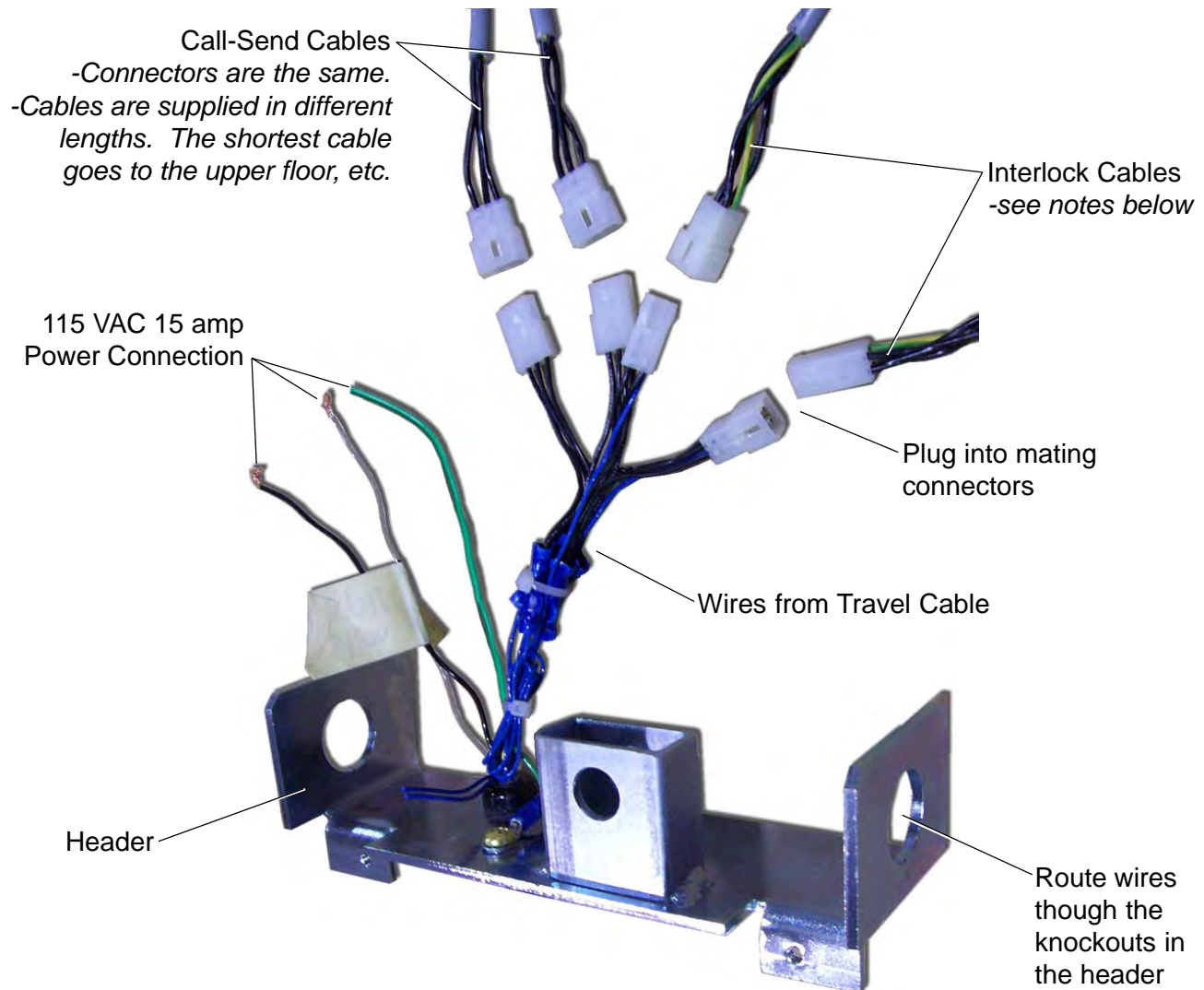
Secure Steel Cable with a clevis pin and cotter pin

Secure Travel Cable inside the Track (above black plastic chain) with adhesive clips. *(adhesive goes against side wall of track)*
Space clips approximately 24" between the plastic chain and track header



Make Wiring Connections at Header

1. Connect to power.
2. Plug-in Call-Send cables.
3. Plug-in Interlock cables



Interlock Cable Note:

The connectors for the interlocks are different to prevent being plugged into the wrong interlock.

The photo to the right shows the orientation of the connectors at the header.



Upper Interlock

Middle Interlock
(3-Stops only)

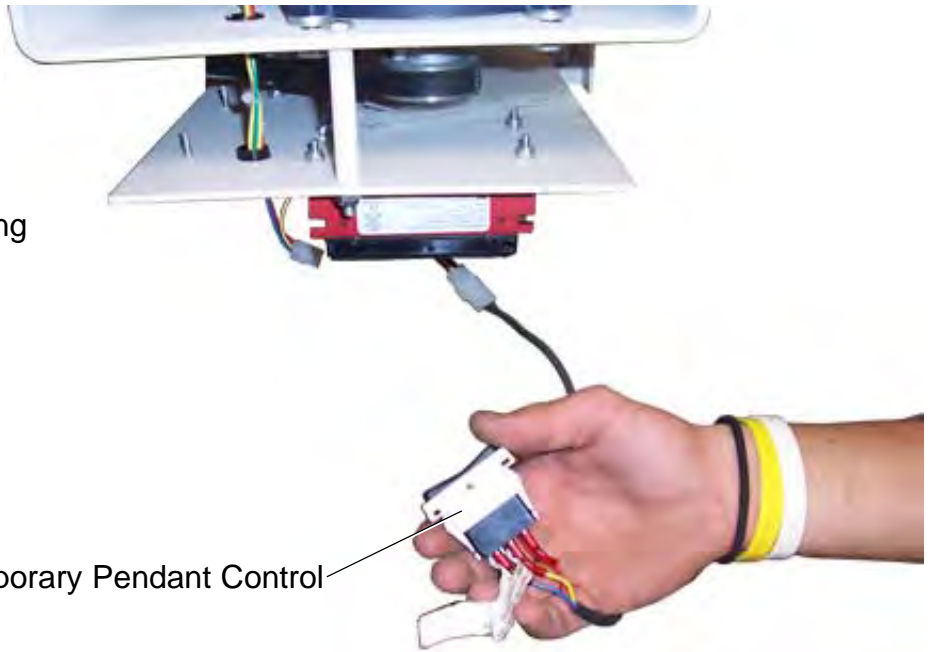
Lower Interlock

Wind the Steel Cable onto the Cable Drum

7

Run lift in the up direction (using temporary pendant control) to wind the steel cable onto the drum

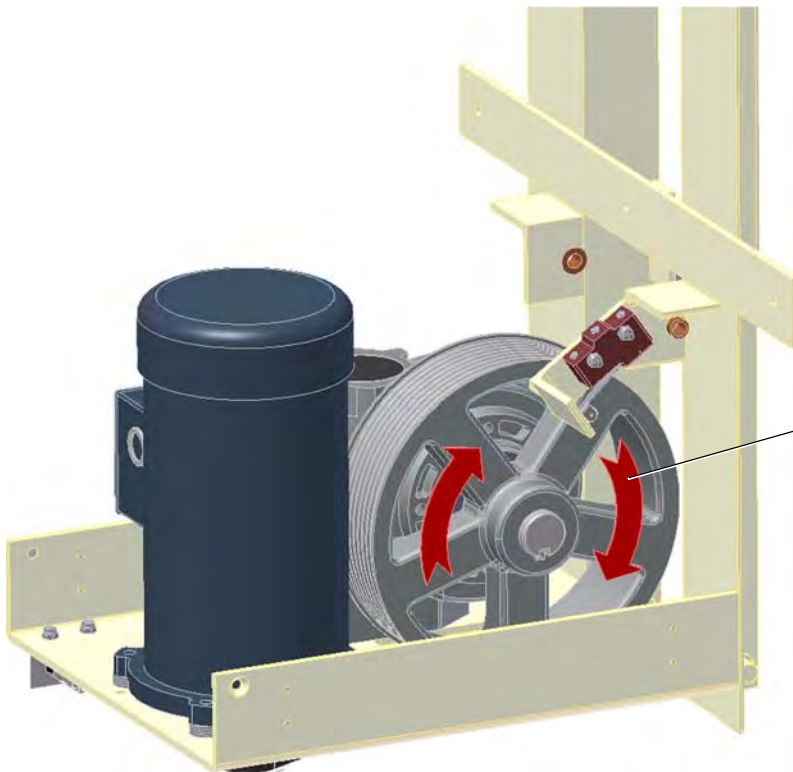
Temporary Pendant Control



The cable should be wound onto the grooves of the drum. **Ensure that no grooves are skipped or that the cable does not wind over itself.**

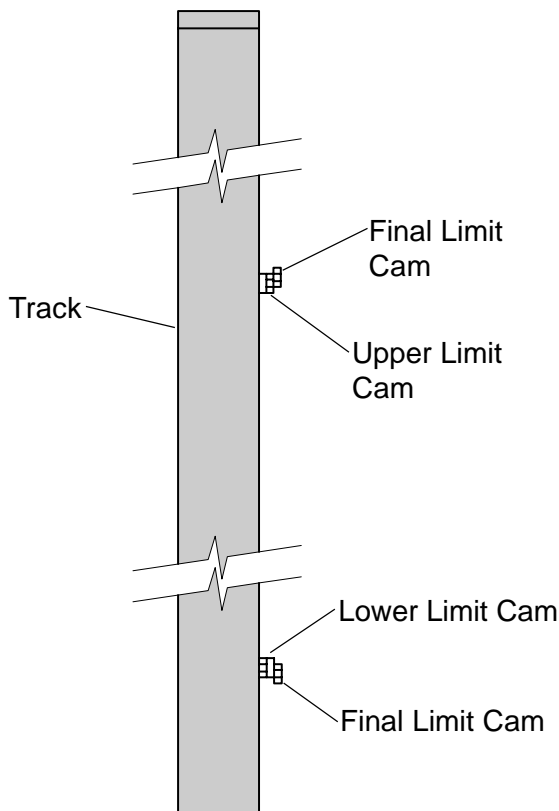
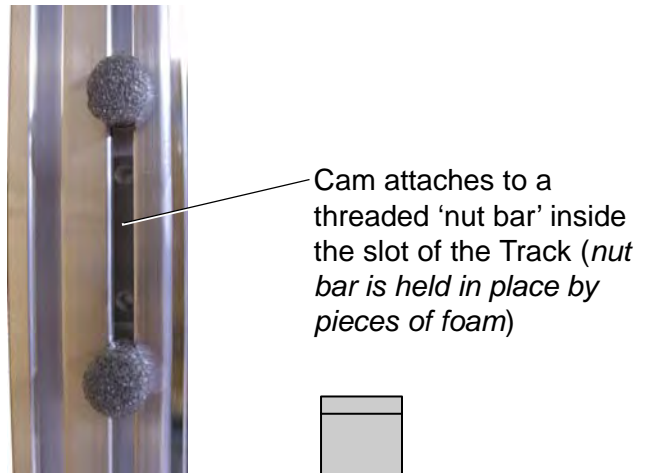
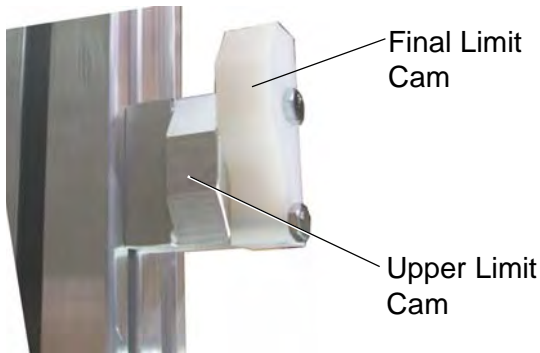
Warning!

All Safety Devices (except for the final limit) are bypassed when using the pendant control.

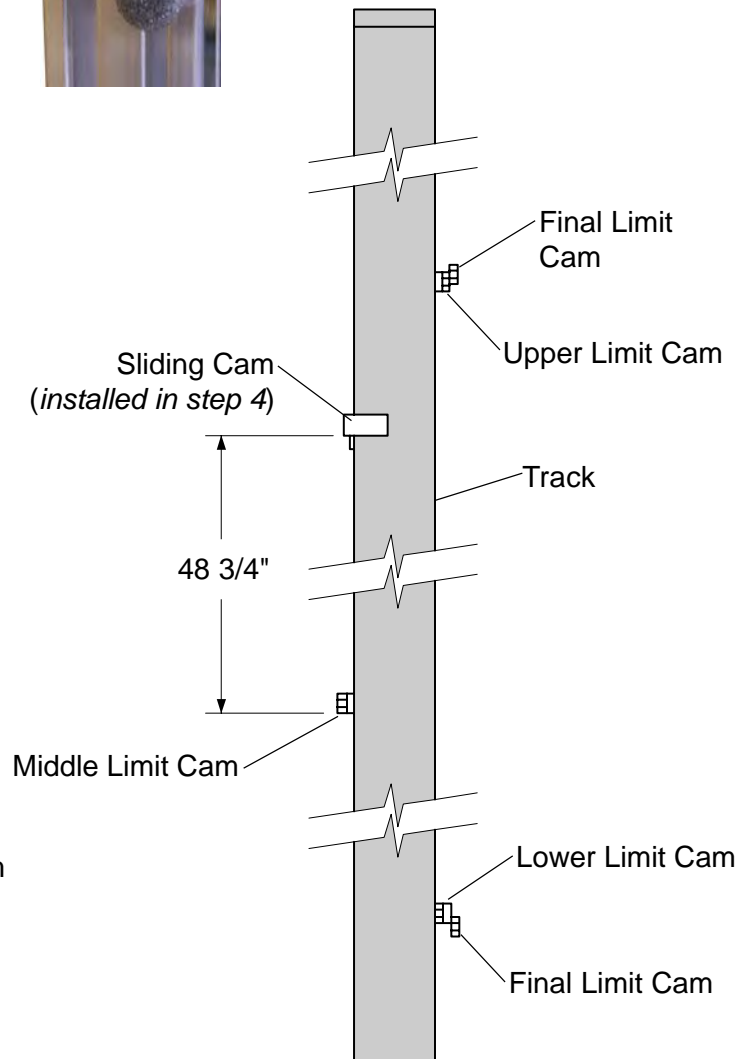


Cable Drum rotates this direction in when running UP

Mount Cams on Track



Layout for 2-Stop



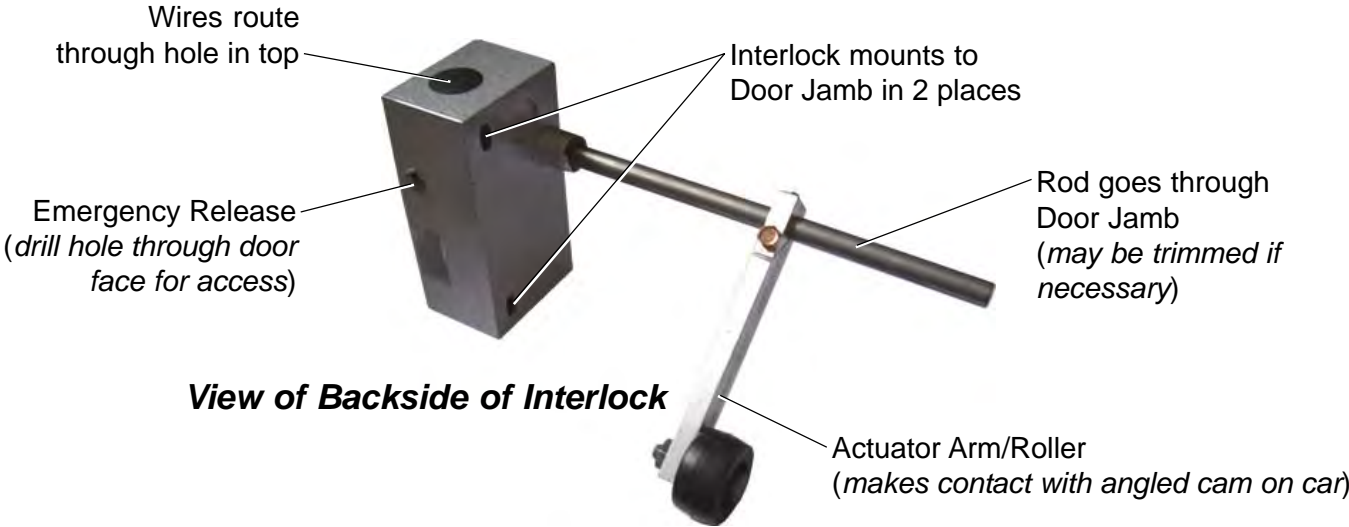
Layout for 3-Stop

Notes:

- Bottom of the floor limit cams are located approximately 15" below the landing stop.
- Cams can be moved up or down to adjust the stopping position of the car.
- Switches are located on the car.
- The final limit is a safety that stops the operation of the dumbwaiter if the car should overrun the upper or lower limit. *It disables all controls when actuated.*

Install G.A.L. Interlocks

The G.A.L. interlock prevents the dumbwaiter from operating if a hoistway door is opened. The hoistway door is unlocked mechanically when a cam on the car contacts a lever arm on the interlock.



Cut-out hoistway wall as necessary to accommodate Actuator Arm



The Interlock will be located in the upper corner of the doorway, opposite of the door hinges

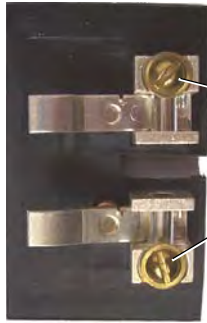


Face of Interlock to be located 7/16" off of the inside of the 'closed' hoistway door

9

Install G.A.L. Interlocks

continued



Route the Interlock Cable thru hole in top of Interlock and connect wires #1 and #2 to the terminal block and the green wire to ground



Attach the Keeper to the inside of the hoistway door in alignment with the Interlock

The angle of the Actuator Arm can be adjusted for proper actuation of the Interlock



The Cam on the Car can be adjusted vertically and horizontally

Notes:

- If doors are not installed at the time of the dumbwaiter installation, the door closed switch can be bypassed by twisting wires #1 and #2 together.

WARNING: Only when necessary, this safety circuit should only be bypassed during installation or troubleshooting. The dumbwaiter should never be allowed to be used under any circumstances with a disabled safety device by anyone other than a person that is servicing it whom has the knowledge of the functionality of this safety. Possible risk of injury or death could occur if the safety circuit is bypassed or not functioning properly.

WARNING: If at any time the interlock is found not to be working properly, the lift should immediately be taken out of service until repairs can be made. Failure to do so could lead to the possible risk of injury or death.

The car door(s) and hoistway doors must be closed for the dumbwaiter to run

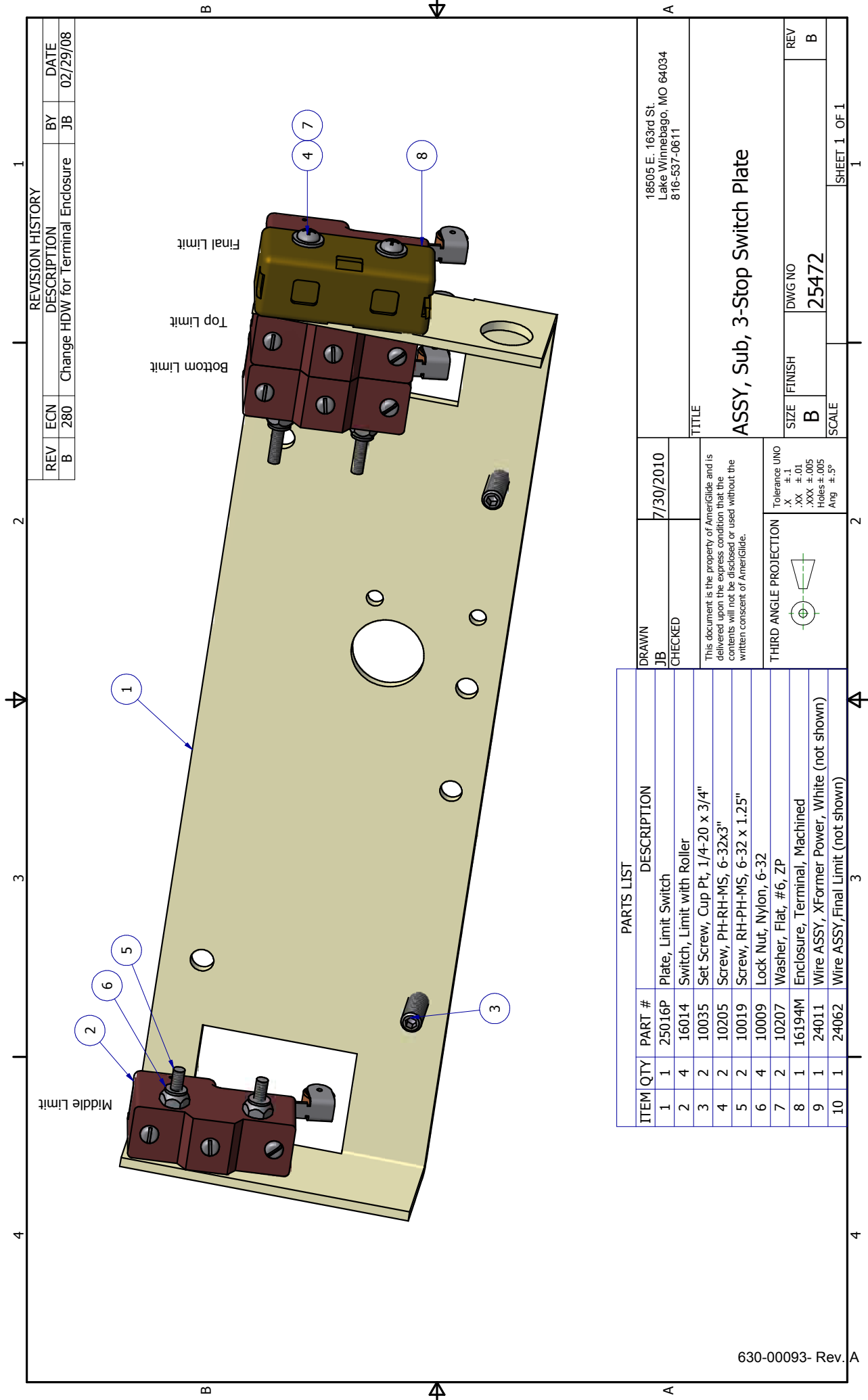
Test the following items to confirm proper setup of the dumbwaiter:

- Verify each call-send control 'calls' and 'sends' the dumbwaiter to the appropriate landing.
- Verify the floor of the dumbwaiter stops level with the sill at each stop. *Adjust position of cams if necessary.*
- Verify all controls are inoperable if the car door is open.
- Verify all controls are inoperable if a hoistway door is open. *Test each hoistway door individually.*
- Verify each hoistway door locks when the dumbwaiter car is not parked at that landing.
- Verify all controls are inoperable if the final limit switch is actuated.
- Verify all controls are inoperable if the slack cable device switch is opened.
- Travel Cable: Verify that the travel cable properly travels inside the track and adhesive clips are properly installed.
- Hardware: Verify all track mounting hardware, switch cams and car hardware are securely tightened.

Complete the Installation



1. Install cover on header.
2. Replace shroud.
3. Use a permanent marker to mark the installation date on the data plate.



REVISION HISTORY				
REV	ECN	DESCRIPTION	BY	DATE
B	280	Change HDW for Terminal Enclosure	JB	02/29/08

DRAWN JB		7/30/2010	18505 E. 163rd St. Lake Winnebago, MO 64034 816-537-0611	
CHECKED			TITLE ASSY, Sub, 3-Stop Switch Plate	
This document is the property of AmeriGlide and is delivered upon the express condition that the contents will not be disclosed or used without the written consent of AmeriGlide.		Tolerance UNO .X ±.1 .XX ±.01 .XXX ±.005 Holes ±.005 Ang ±.5°		REV B
THIRD ANGLE PROJECTION		SIZE FINISH B		DWG NO 25472
		SCALE		SHEET 1 OF 1

PARTS LIST		DESCRIPTION
ITEM QTY	PART #	DESCRIPTION
1 1	25016P	Plate, Limit Switch
2 4	16014	Switch, Limit with Roller
3 2	10035	Set Screw, Cup Pt, 1/4-20 x 3/4"
4 2	10205	Screw, PH-RH-MS, 6-32x3"
5 2	10019	Screw, RH-PH-MS, 6-32 x 1.25"
6 4	10009	Lock Nut, Nylon, 6-32
7 2	10207	Washer, Flat, #6, ZP
8 1	16194M	Enclosure, Terminal, Machined
9 1	24011	Wire ASSY, XFormer Power, White (not shown)
10 1	24062	Wire ASSY, Final Limit (not shown)

AmeriGlide

EXPRESS



IMPORTANT SAFETY INSTRUCTIONS

Please Post Instructions



WARNING

When service or maintenance is required on this dumbwaiter the following precautions shall be followed:

- **Disconnect** - main power supply from the dumbwaiter using appropriate LOTO-T methodologies
- **Do Not** - override door interlocks (aka “jump out”)
- **Do Not** - override machine access door switch
- **Do Not** - come in contact with moving parts
- **DO NOT ENTER HOISTWAY** – access only through machine access door. Verify if local code requires Hoistway to be considered a confined space
- **Use** – the Temporary Pendant Control to move the dumbwaiter inside the hoistway

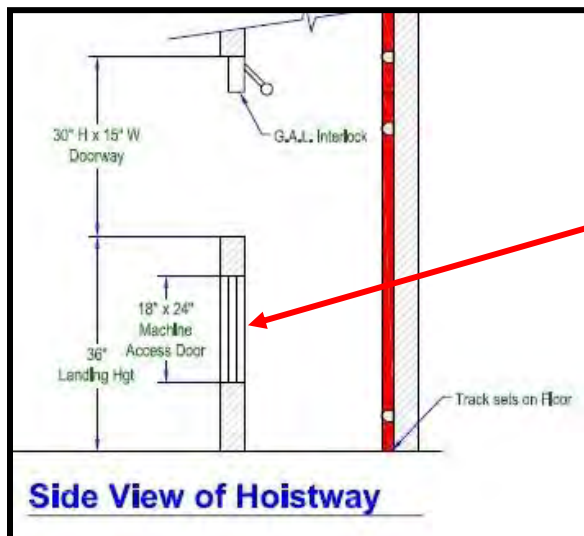
WARNING: The safety circuit should only be bypassed during installation or troubleshooting by a qualified technician who understands the functionality of the safety device. The dumbwaiter should never be allowed into operation with a disabled safety device. Possible risk of injury or death could occur if the safety circuit is bypassed or if it is not functioning properly.

WARNING: If the interlock is found not to be working properly, the dumbwaiter should immediately be taken out of service until repairs can be made. Failure to do so has the potential to result in injury or death.

AmeriGlide EXPRESS

Access to the hoistway of the dumbwaiter

The Ascent dumbwaiter has a machine access door located below the lower landing door

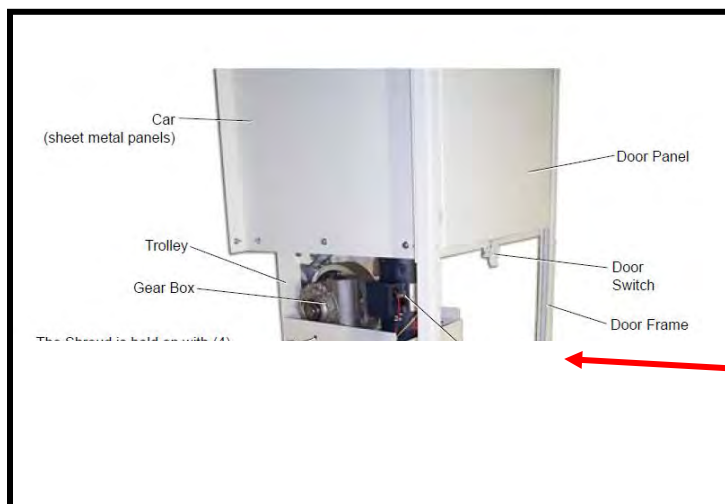


Machine Access Door

18" x 24"

To be normally locked and controlled by Safety Door Switch

Bottom view of dumbwaiter cab thru "machine access door" below the lower landing door



Bottom side of dumbwaiter cab

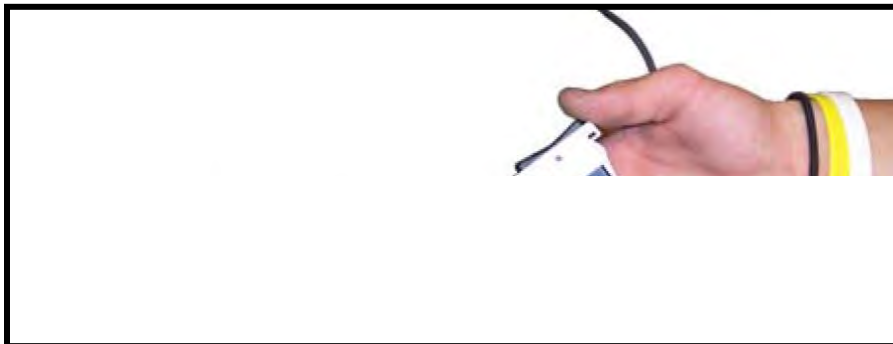
See instruction manual for using Temporary Pendant Control

AmeriGlide

EXPRESS

WARNING!

All Safety Devices are bypassed when using the **Temporary Pendant Control** to move the dumbwaiter (**except for the final limit**). **Final limit** will stop the dumbwaiter at the top and the bottom of the rail. The bottom of the rail has a metal mechanical stop bolted on the rail below the lower limit cams. (**It's marked "DO NOT REMOVE"**)



Temporary Pendant Control This allows the technician to use constant pressure controls to move the dumbwaiter up or down during service / troubleshooting. This control can be made any length to allow a technician to operate the car from any location desired.

SERVICE & ACCESS TO CONTROLS (pertaining to troubleshooting)

The lift is designed with several features to allow safe troubleshooting by technicians.

- Access for the temporary pendant control can be gained through the lower machine access door (if the lift is at the lower landing) or through landing doors (if the lift is above the bottom landing).
- A slack-rope device provides both mechanical and electrical safeties on the lift.
- The slack-rope device can be reset from either below or above the car. Means of resetting include:
 - Pulling out on the suspension cable at a point above the car.
 - Manually turning the belt and pulleys at a point just under the car.
 - Running the lift in the up direction with the temporary control.

DO NOT ENTER HOISTWAY